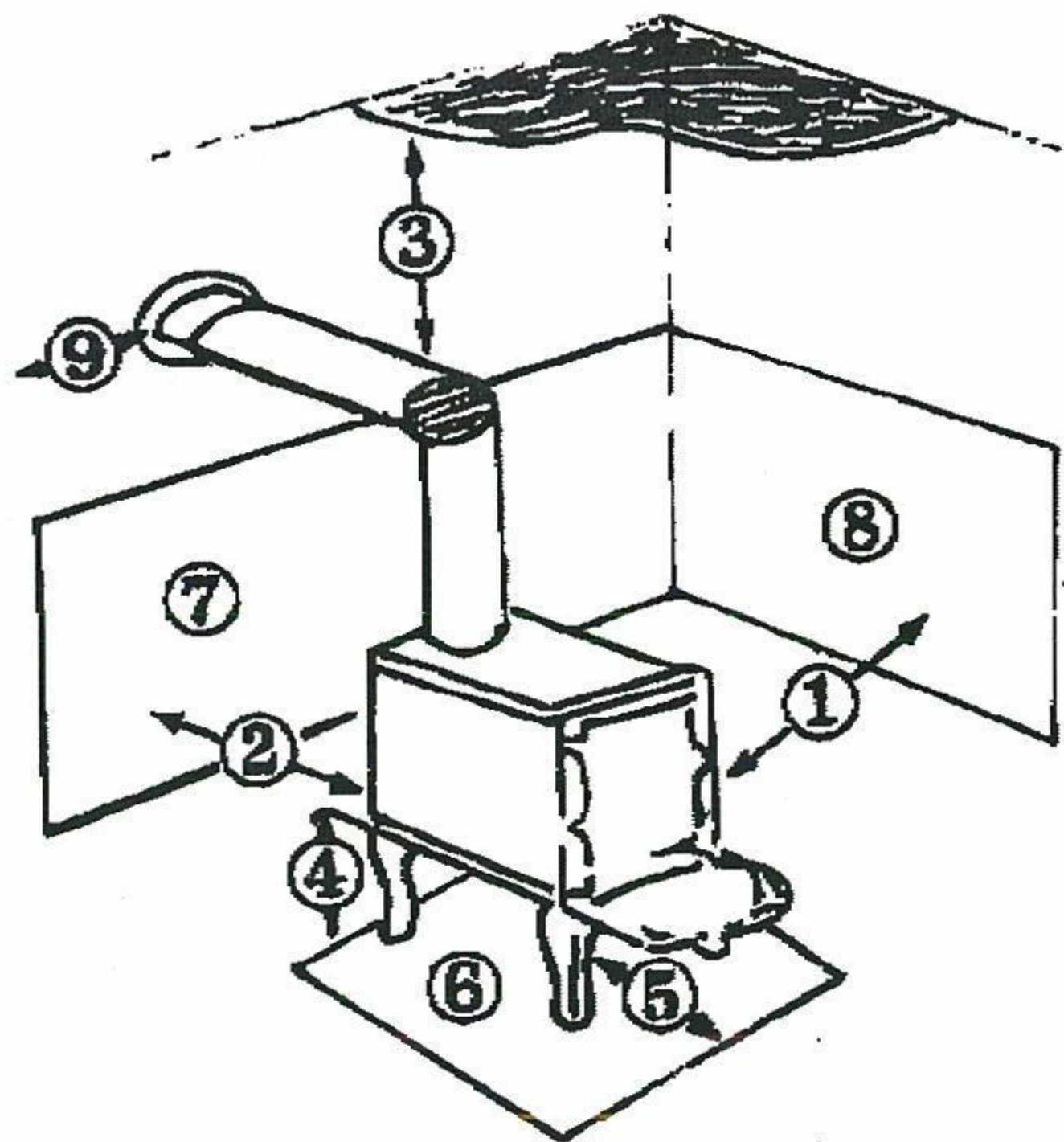


# WOOD STOVE AND FIREPLACE QUESTIONNAIRE

1. Chimney type:  All Masonry  Masonry and/or steel (If steel, chimney is:  single wall  double wall). Please note that all masonry chimneys (without steel insert) are pre-approved by the State Fire Marshall's office and a questionnaire is not needed for fireplaces of this type.
2. Brand name of Stove: \_\_\_\_\_ Type of unit:  airtight  non-airtight  open
3. Stove construction :  cast iron  steel  sheet metal Fuel Type used \_\_\_\_\_
4. Is Stove U.L. approved? Yes \_\_\_\_\_ No \_\_\_\_\_
5. Stove is used for:  primary heat  auxiliary heat  occasional use Stove is used approx. \_\_\_\_\_ days per month.
6. Wood stove installation was part of original home/mobile home construction?  Yes  No  
Date of installation \_\_\_\_\_ Stove installed by owner?  Yes  No  
Licensed contractor (Name) \_\_\_\_\_ Other (explain) \_\_\_\_\_
7. Stove/Chimney Installation has been inspected and approved by city, borough, or fire department representatives?  
 Yes  No Inspection date: \_\_\_\_\_
8. How often is chimney inspected for creosote buildup? \_\_\_\_\_ By whom? \_\_\_\_\_
9. How often do you hire professional maintenance and/or cleaning service of your stove and chimney? \_\_\_\_\_  
Date of last service: \_\_\_\_\_
10. Mobile homes only. Stove approved for use in mobile homes?  Yes  No

## UNIT CLEARANCE AND FIRE PROTECTION (COMPLETE ALL BLANKS)



1. Side of unit to nearest wall is \_\_\_\_\_ inches.
2. Rear of unit or chimney to wall is \_\_\_\_\_ inches (whichever is closest).
3. Top of stovepipe to ceiling is \_\_\_\_\_ inches (n/a if stove top passes through ceiling).
4. Bottom of unit to floor is \_\_\_\_\_ inches.
5. Front of unit to front edge of pad or floor protection is \_\_\_\_\_ inches.
6. Protective floor covering material below stove:  
\_\_\_\_\_
7. Protective wall cover material behind/beside stove:  
\_\_\_\_\_
8. Is there at least 2" clearance from any combustibles where insulated chimney goes through wall, ceiling, or roof?  
 Yes  No
9. Is there at least 3 to 4 inches clearance from any insulation which is around insulated chimney pipe? Note that certain insulations burn or break down through continued exposure to heat, and certain fireproof insulations such as rock wool, if tightly packed, will transfer heat combustibles and cause combustion.  
 Yes  No

Do you have a fire extinguisher?  Yes  No  
 Do you have chimney cleaning equipment?  Yes  No  
 Do you have smoke alarms?  Yes  No

### CONSENT TO INSPECT

Home Phone: \_\_\_\_\_

Work Phone: \_\_\_\_\_

Signed: \_\_\_\_\_

Date: \_\_\_\_\_